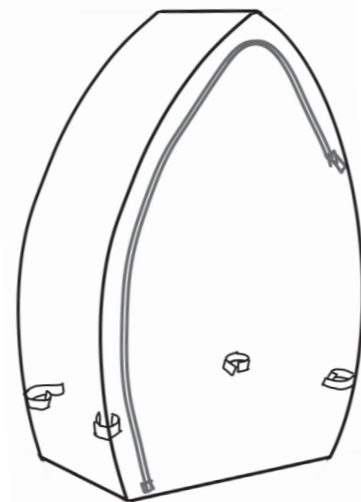


Cover x 1



With the zip fully open, slide the cover over the top of the frame.

Secure with 4 x Velcro tabs inside the cover to the frame.

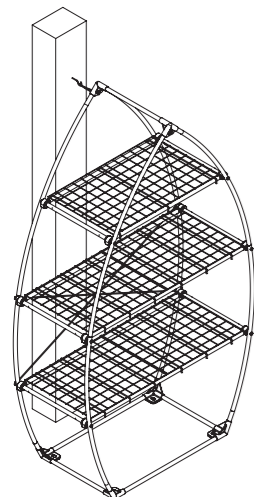
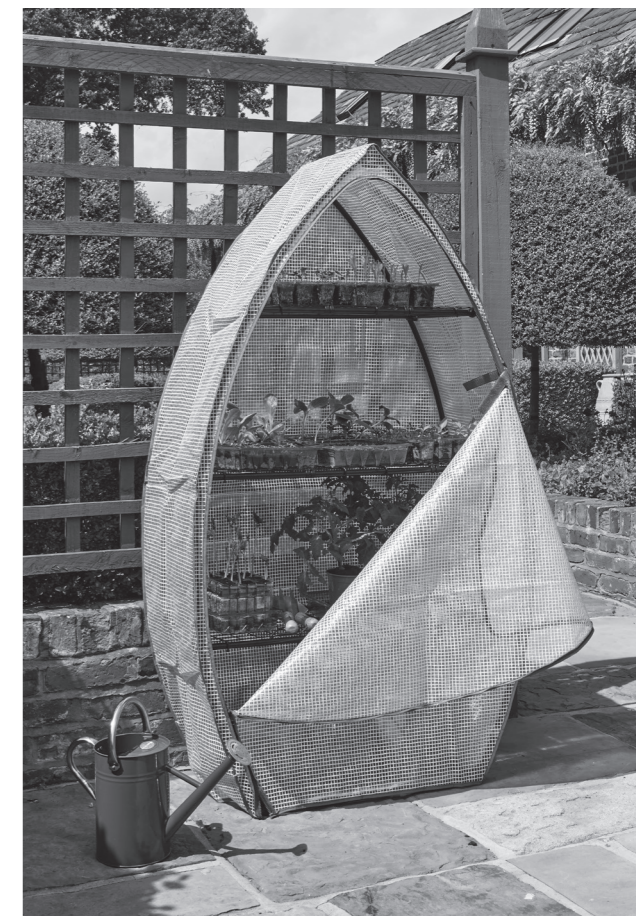


GROW WITH
Gro-Sure[®]
CERTAINTY

VISIROOT™
12 TRAY GROWHOUSE

INSTRUCTIONS

CONSUMER HELPLINE
TEL 01480 443789



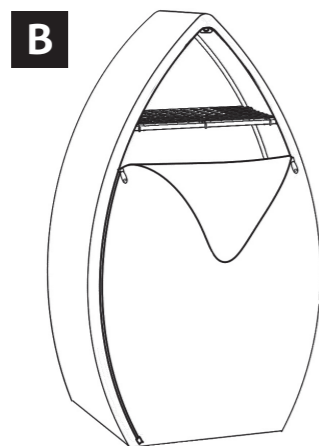
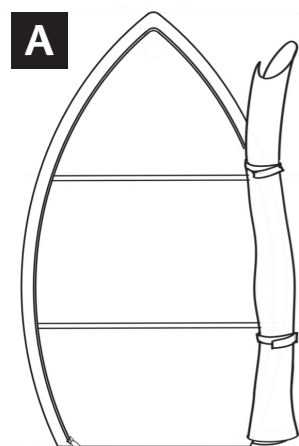
There are various ways you can secure the unit in place, depending on the exposed nature of your site.

Use tether rope provided to thread through the top bracket **D** and eyelet in the cover. Attach to a permanent fixed structure like a post, fence, wall or similar. Always place the product on a flat, even and stable surface.

Locate the product next to a wall, fence, shed or other permanent structure for support.

The base foot includes holes to allow the unit to be pegged to the ground. If located on concrete, use additional tether ropes to thread through the foot plate and attach to a structure behind.

Make sure you position your Growhouse in a sheltered position and anchor securely depending on exposure to winds and turbulence. In really exposed locations consider adding a bag of sand or compost across the base poles for extra ballast.



Ventilation: The twin zips allow you to:

- A) Fully open the door and secure with buckle clips on the side
- B) Partially open at the top and bottom to allow air to enter and ventilate out of the top.

Top Tips for using your 12 Tray Visiroot Growhouse.

- Make sure you position your Growhouse in a sheltered position and anchor securely depending on exposure to winds and turbulence.
- Do not place the product near heat or open flames
- Always place the product on flat, even and stable surfaces.
- Locate the product next to a wall, fence, shed or other permanent structure for support.
- Do not place the product on slippery surfaces
- Ensure all parts are securely assembled prior to use
- Do not use the product if damaged or if the parts show any sign of instability or wear.
- At the end of growing season, the growing enclosure should be disassembled and stored indoors. Or at least remove the cover if no plants are left over winter inside the structure, to prolong the lifetime.

WARNING: Suffocation hazard not for children

WARNING: To reduce the risk of serious personal injury:

- Keep the product out of the reach of children and pets. The product is not intended for children use.
- Do not exceed the maximum loading capacity: 10kg per shelf
- Do not stand on the product or use it as a stepladder
- Use only manufacturer recommended or supplied accessories or attachments.

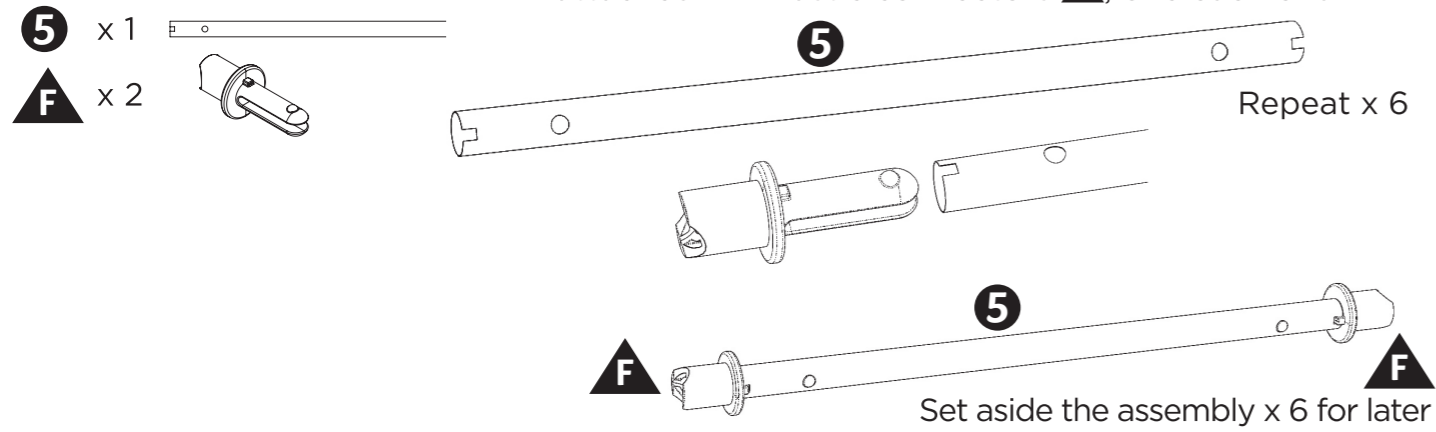
Caution - To reduce the risk of personal injury or product damage

- This product is intended for outdoor, non-commercial, non-industrial, household use as a greenhouse. Do not use the product for any other purpose.

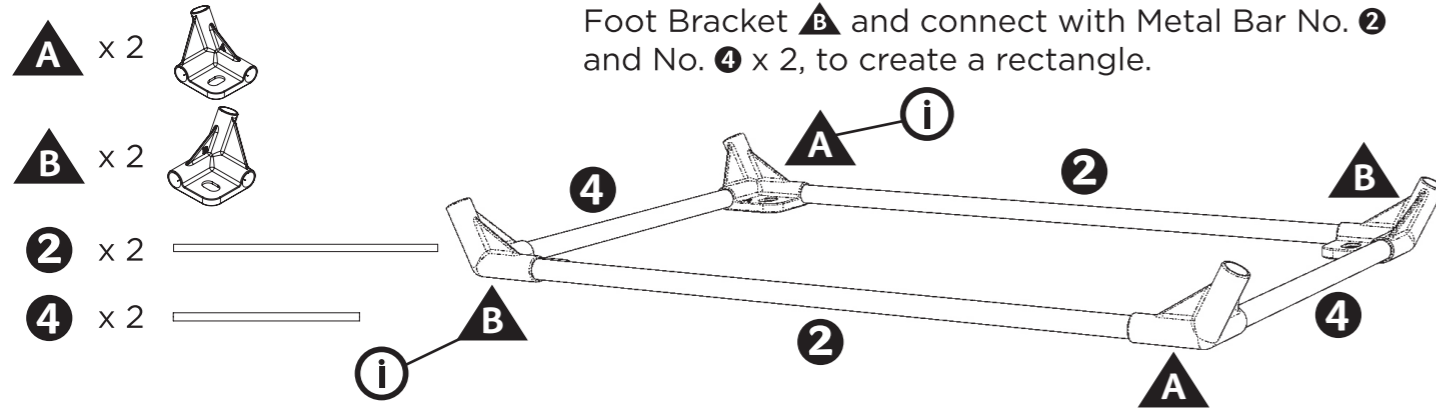
Number	Picture	Quantity	Number	Picture	Quantity
1		4	A		2
2		2	B		2
3		2	C		12
4		3	D		2
5		6	E		12
6		4	F		12
7		4			1
8		4			1
9		1			1
10		10	Spare parts available to order 70200506 Visiroot Growhouse 12 Tray Cover		
11		2			

FIG 1

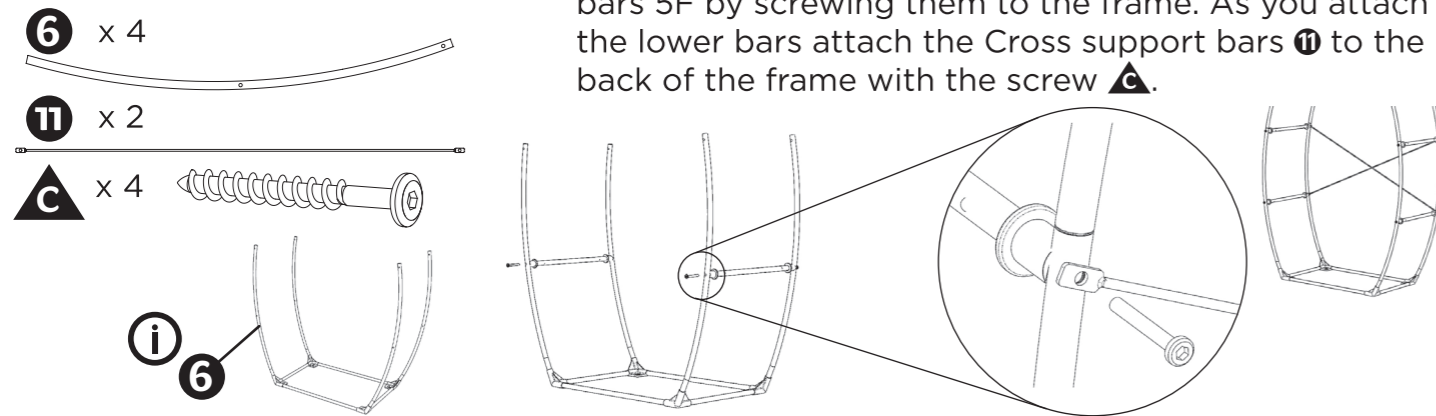
Prepare 6 x side shelf bars: Use 1 x Bar No. 5 and attached 2 x Plastic connectors F, one each end.

**FIG 2**

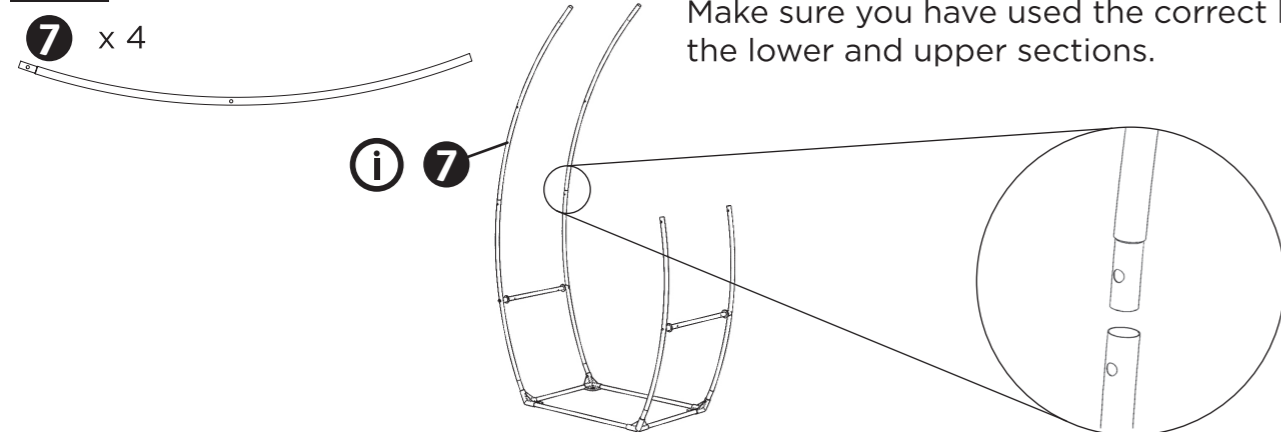
Assemble the Base: Use 2 x Foot Bracket A & Foot Bracket B and connect with Metal Bar No. 2 and No. 4 x 2, to create a rectangle.

**FIG 3**

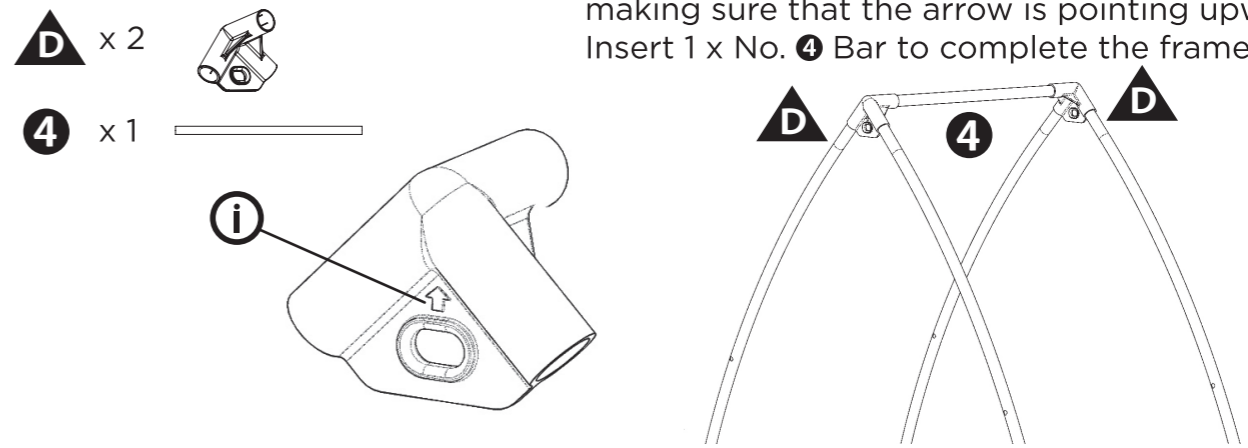
Insert 4 x No. 6 Bars into the base. Attach 2 x Side bars 5F by screwing them to the frame. As you attach the lower bars attach the Cross support bars 11 to the back of the frame with the screw C.

**FIG 4**

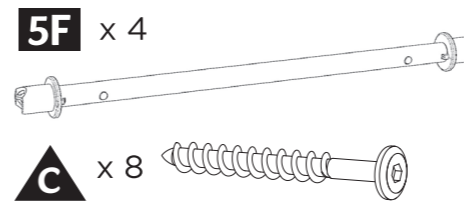
Insert 4 x No. 7 Bars into the lower section. Make sure you have used the correct bars for the lower and upper sections.

**FIG 5**

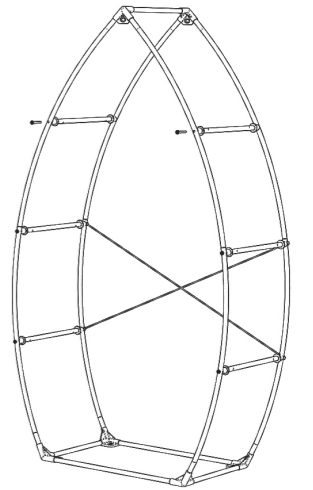
Attach 2 x D connectors at the top of the frame, making sure that the arrow is pointing upwards. Insert 1 x No. 4 Bar to complete the frame.

**FIG 6**

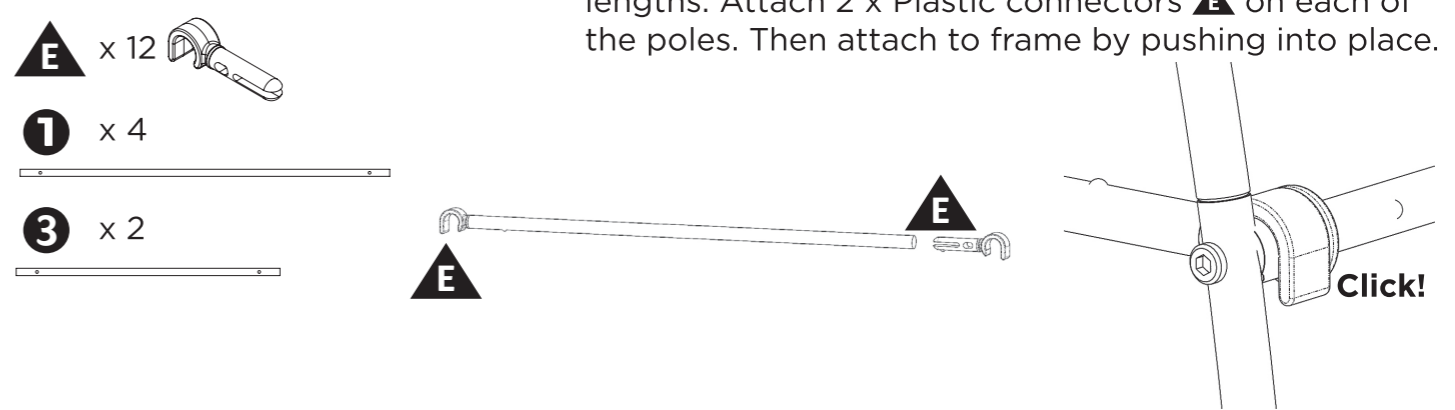
Complete the frame by adding the remaining 5F assembly x 4 and screw them to the frame.



Attach the other end of the cross-support bars 11 to complete the X support structure at the back.

**FIG 7**

Assemble 6 x front shelf bars. There are two different lengths. Attach 2 x Plastic connectors E on each of the poles. Then attach to frame by pushing into place.

**FIG 8**

Place the shelves in position and secure with the clips, position at the front and back of each shelf.

Individual shelf sections can be removed to allow plants to grow through from one level to another.

